

AIRNETIX, LLC

INNOVATIONS IN WIRELESS TECHNOLOGY

2218 Edgartown Lane SE, Smyrna, GA 30080 - 678-677-4961 - www.airnetix.com

StreetSounds® Pole Attachment Details

Below are the specifications and drawings for the StreetSounds™ STS-70-205J wireless audio speaker system.



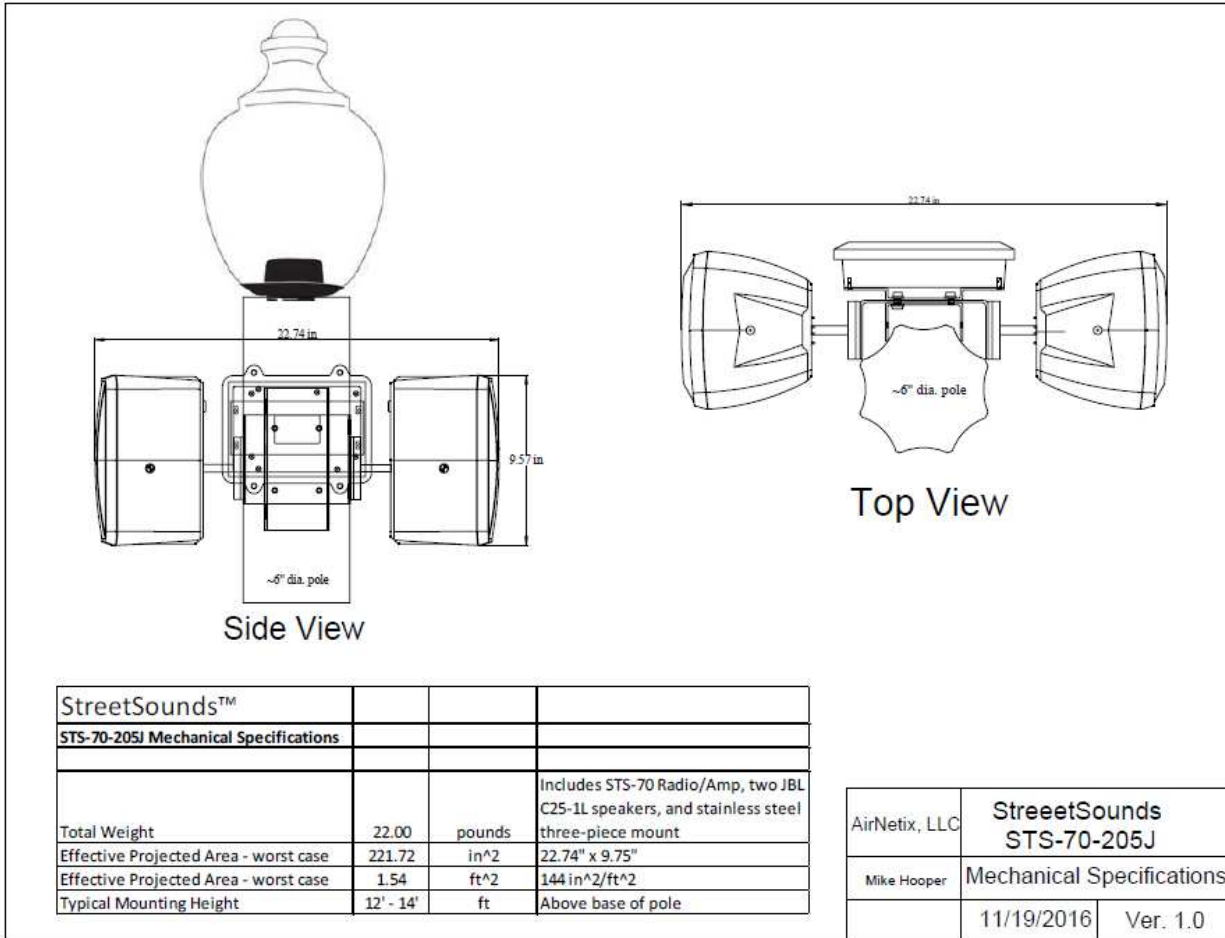
StreetSounds® STS-70-205J

AIRNETIX, LLC

INNOVATIONS IN WIRELESS TECHNOLOGY

2218 Edgartown Lane SE, Smyrna, GA 30080 - 678-677-4961 - www.airnetix.com

Wind Loading and Weight Information



Power Consumption Estimate

The STS-70-205J consumes an average of 10 watts of power when playing background music. The system will be used approximately 8 hours per day, 7 days per week, 30 days per month for background music. The table below calculates the total cost for 7 units for a typical month based on a Georgia commercial power rate of \$.0929 per kWh. The total cost per month is \$1.56.

10	watts average (background music)
0.01	kW
8	hours/day
7	days/week
30	days/month
16.8	kwh/month
0.0929	\$/kwh (GA Commercial rate)
\$1.56	\$/unit/month

AIRNETIX, LLC

INNOVATIONS IN WIRELESS TECHNOLOGY

2218 Edgartown Lane SE, Smyrna, GA 30080 - 678-677-4961 - www.airnetix.com

Mounting Bracket

The mounting bracket used on the STS-70-206J is made from .100" thick 316 stainless steel. All mounting bolts, nuts, and screws used in the assembly are also made from 316 stainless steel. The mounting assembly is secured to the pole with two Ideal Tridon Pow'r Gear 6x stainless steel bands (hose clamps). No portion of the mount is subject to rust or corrosion. The photos below show the details of the mounting bracket assembly.



STS-70-205J Mounting Assembly

Please let me know if any further information is needed.

Thank you,



Mike Hooper, President

AirNetix, LLC

678-677-4961